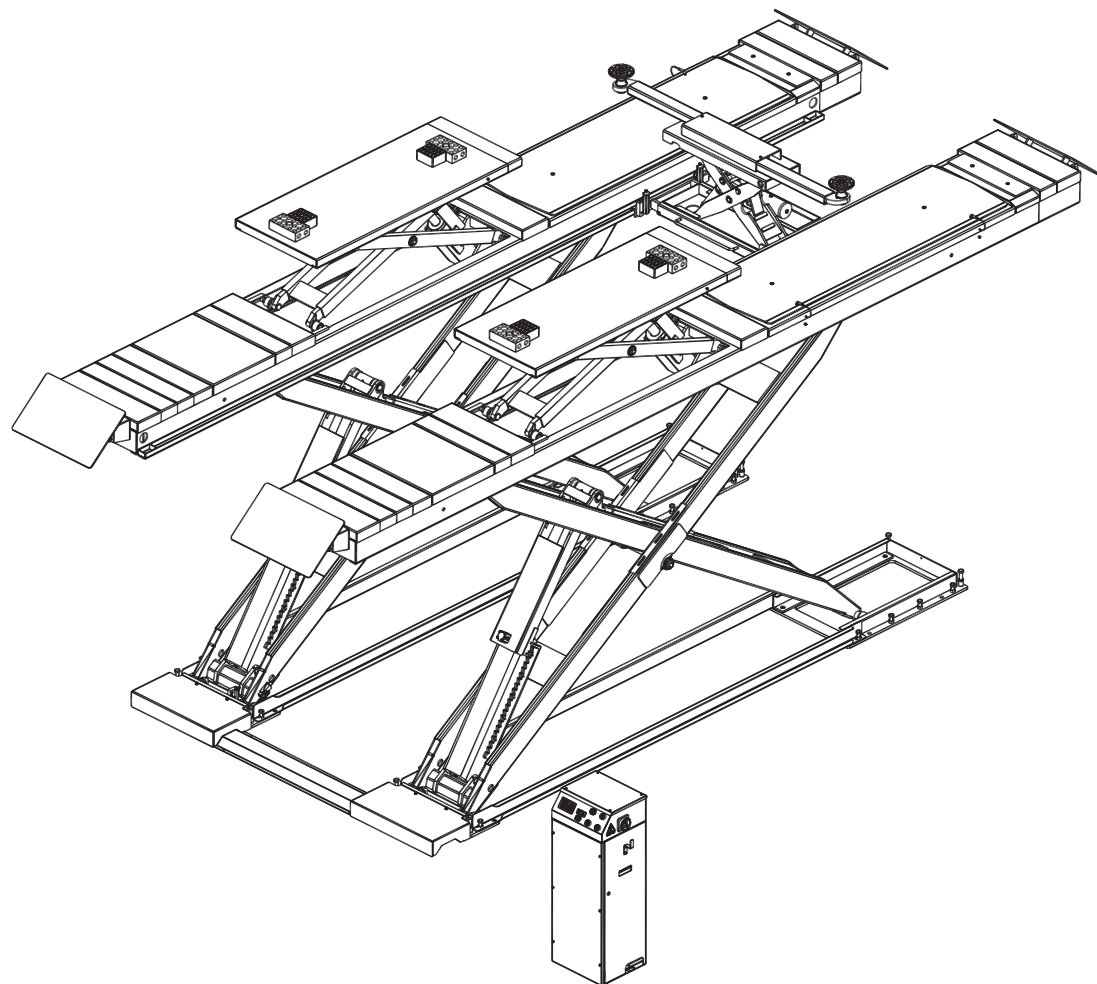
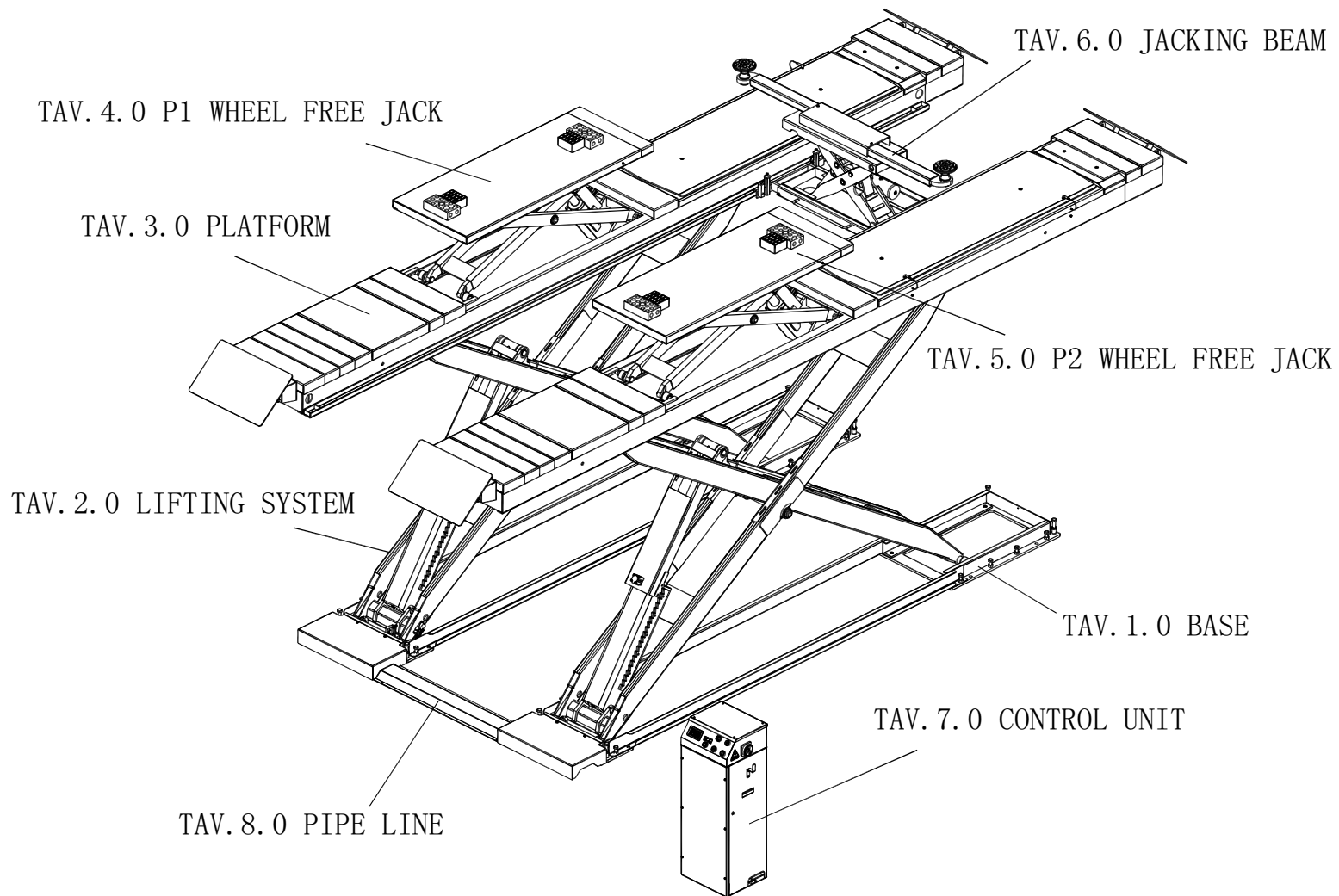
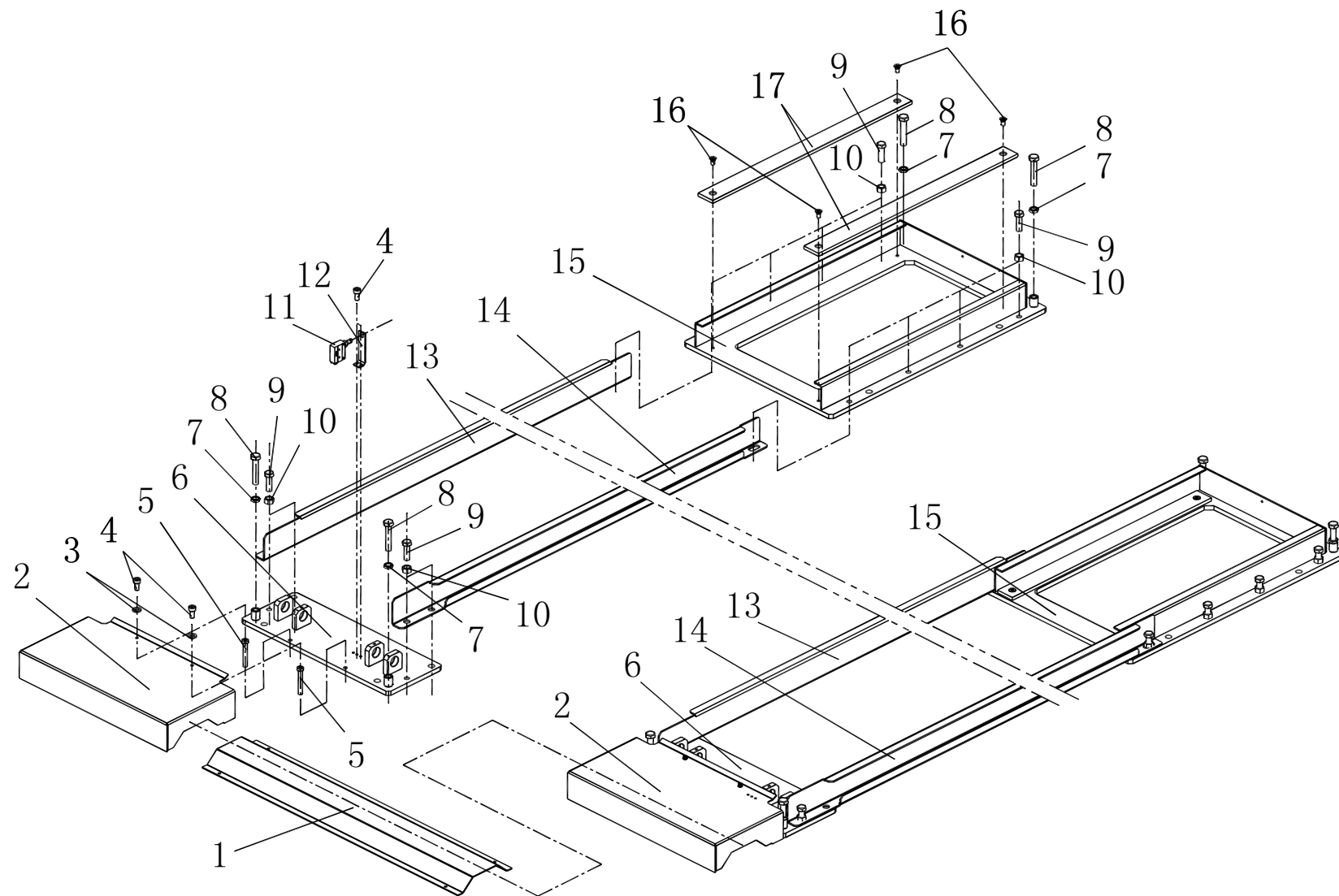


PART CATALOGUE

ПГН-8350







TAV.1.0	BASE	ED. 07/17
---------	------	-----------

ITEM	PART NO.	DESCRIPTION	QTY	REMARK
1	8240TX-000862	Front hose cover	1	
2	824-000001	Base hose cover	2	
3	0205006	Washer D.6 - GB/T97.1	4	
4	0202024	Screw M6X12 - GB/T70.1	6	
5	824-000002	Bolt	4	
6	824-111000	Front base	2	
7	0204032	Nut M16 - GB/T6172.1	8	
8	0201180	Screw M16X85 - GB/T5780	8	
9	0201103	Screw M16X50 - GB/T5781	20	
10	0203025	Nut M16 - GB/T6170	20	
11	0505017	Top limit switch 7311	1	
12	CJS30-01-04	Switch support	1	
13	J62B110002	Base connection plate 1	2	
14	J62B110001	Base connection plate 1	2	
15	824-112000	Rear base	2	
16	0207022	Screw M10X20 - GB/T819.1	8	
17	824-110001	Lower wheel guide	4	

TAV.2.0	LIFTING SYSTEM	ED. 07/17
---------	----------------	-----------

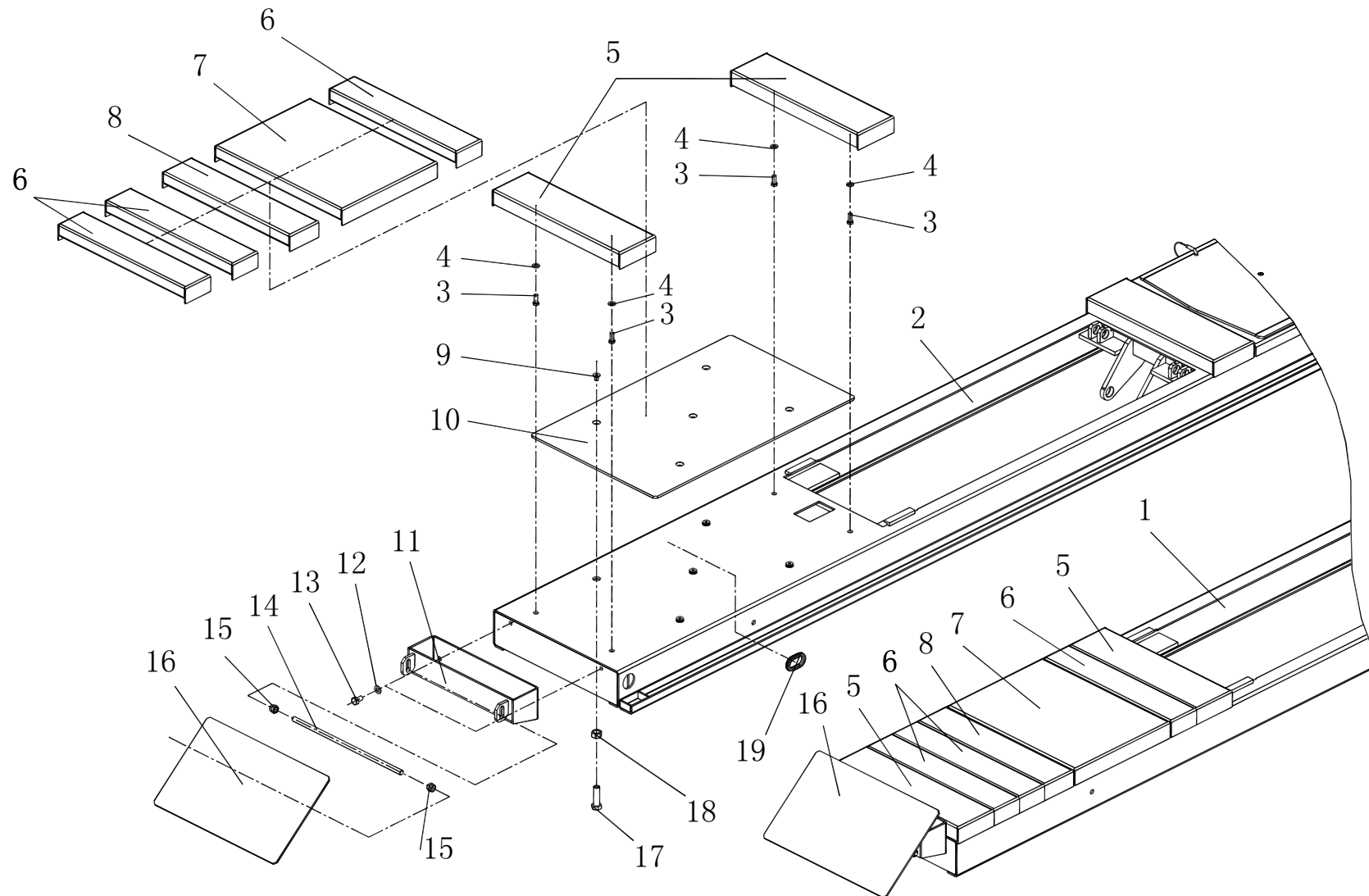
ITEM	PART NO.	DESCRIPTION	QTY	REMARK
1	0204015	Nut M30 - GB/T6172.1	4	
2	0205025	Teethed washer D.30	4	
3	ZJJ3-17	Shim	20	
4	0210080	Bush SF-1/4055	8	
5	8250-18	Shim	4	
6	8250-02-26	Spacer	4	
7	0209012	Screw M8X12 - GB/T78	4	
8	824-100004	Central shaft	2	
9	ZJJ3-02-01-08	Nylon plug	4	
10	0212021	Seeger D.30	4	
11	8240B-02-02-16	Lower wheel	4	
12	0210046	Bush SF-1/3060	4	
13	J62B120000	Inner scissor arm	2	
14	J62B130000	Outer scissor arm	2	
15	J62B181000	Upper safety rack	2	
16	J62B282000	P1 lower safety rack	1	
17	J62BY20000	Slave hydraulic cylinder unit	1	
18	0206017	Screw M4X25 - GB/T818	1	
19	0206013	Screw M4X12 - GB/T818	1	
20	0505018	Safety height limit switch 8108	1	
21	0210018	Bush SF-1/3055	4	
22	824-100003	Lower shaft	4	
23	0209025	Screw M8X12 - GB/T79	8	
24	0210028	Bush SF-1/3560	4	
25	J62B100001	Cylinder lower shaft	2	
26	J62BY10000	Master hydraulic cylinder unit	1	
27	J62B182000	P2 lower safety rack	1	

TAV.2.0	LIFTING SYSTEM	ED. 07/17
---------	----------------	-----------

28	0202010	Screw M4X50 - GB/T70.1	8
29	0306010	Safety release air cylinder 32X23	2
30	0207043	Screw M6X10 - GB/T973	2
31	0212022	Seeger D.35	4
32	GJ300-400009	Shim 2	12
33	0210027	Bush SF-1/3550	4
34	J62B100002	Cylinder upper shaft	2
35	0209010	Screw M6X10 - GB/T78	4
36	0202070	Screw M12X20 - GB/T70.1	8
37	0205013	Washer D.12 - GB/T97.1	16
38	0201074	Screw M12X30 - GB/T5781	16
39	824-100005	Upper shaft	2
40	0210075	Bush SF-1/3050F	4
41	824-170000	Leveling bracket	4
42	824-100001G	Nylon slider	4
43	J62BY21000	Slave cylinder liner	1
44	0212007	Seeger D.32	2
45	GJ350-100B-5	Slave cylinder piston	1
46	0312003	Gasket 100X75X22.4	1
47	0309027	O-ring 38X3.1	2
48	J62BY28003	Slave cylinder shaft	1
49	0305006	Guiding ring 50X25X2.5	2
50	0310015	Seal 50X60X6	1
51	0311010	Scraper 50X58X5/6.5	1
52	0309079	O-ring 100X3.1	1
53	GJ350-100B-2	Slave cylinder guiding cover	1
54	8250-120-06	Cylinder bracket	2

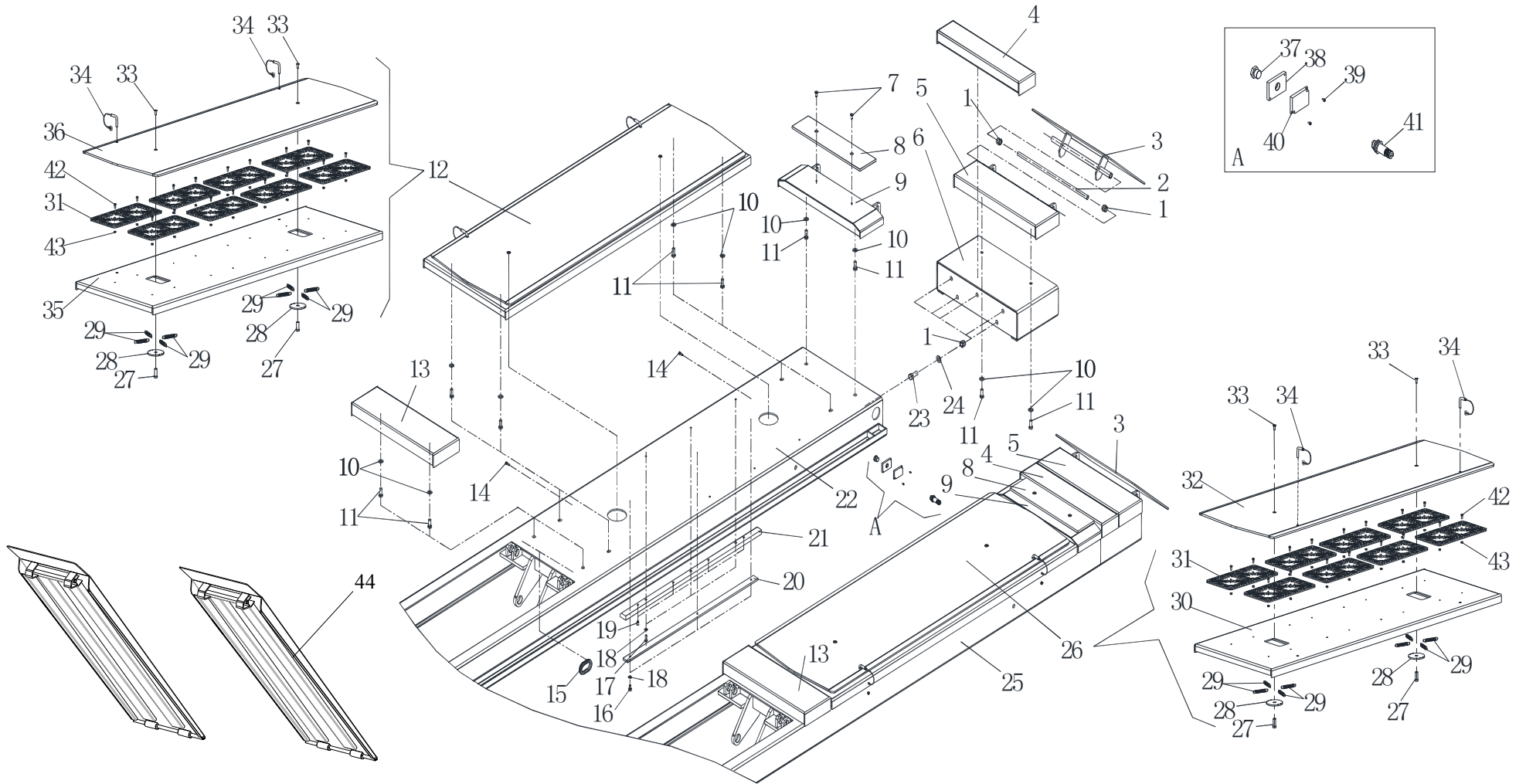
TAV.2.0	LIFTING SYSTEM	ED. 07/17
---------	----------------	-----------

55	J62BY11000	Master cylinder liner	1
56	J62BY18001	Master cylinder piston	1
57	J62BY18003	Master cylinder shaft	1
58	0310034	Seal 75X85X7	2
59	0311024	Scraper 75X85X6/8	1
60	0309111	O-ring 115X5.3	1
61	J62BY18002	Master cylinder guiding cover	1
62	0312023	Gasket 125X100X25.4X6.35	1



TAV.3.1	PLATFORM – PART 1	ED. 07/17
---------	-------------------	-----------

ITEM	PART NO.	DESCRIPTION	QTY	REMARK
1	J62B241000	P2 Platform	1	
2	J62B141000	P1 Platform	1	
3	0201074	Screw M12X30 - GB/T5781	8	
4	0205013	Washer D.12 - GB/T97.1	8	
5	8240B4-03150A	Spacer	4	
6	8240C4-031501	Removable spacer	6	
7	8200TY-800002	Turntable recess cover	2	
8	8200TY-800006	Removable spacer	2	
9	0207038	Screw M12X20 - GB/T70.3	10	
10	8240B4-000812	Turntable leveling baseplate	2	
11	824-000100	Front ramp support	2	
12	0205017	Washer D.14 - GB/T97.1	4	
13	0201085	Screw M14X25 - GB/T5781	4	
14	8200B6-800012	Ramp shaft	2	
15	0204008	Self-locking nut M16	4	
16	8200TX-007100	Short ramp	2	
17	8240B4-800011	Special screw M20X70	10	
18	0203012	Nut M20 - GB/T6170	10	
19	0606066	Hose relief 61X5.5	2	

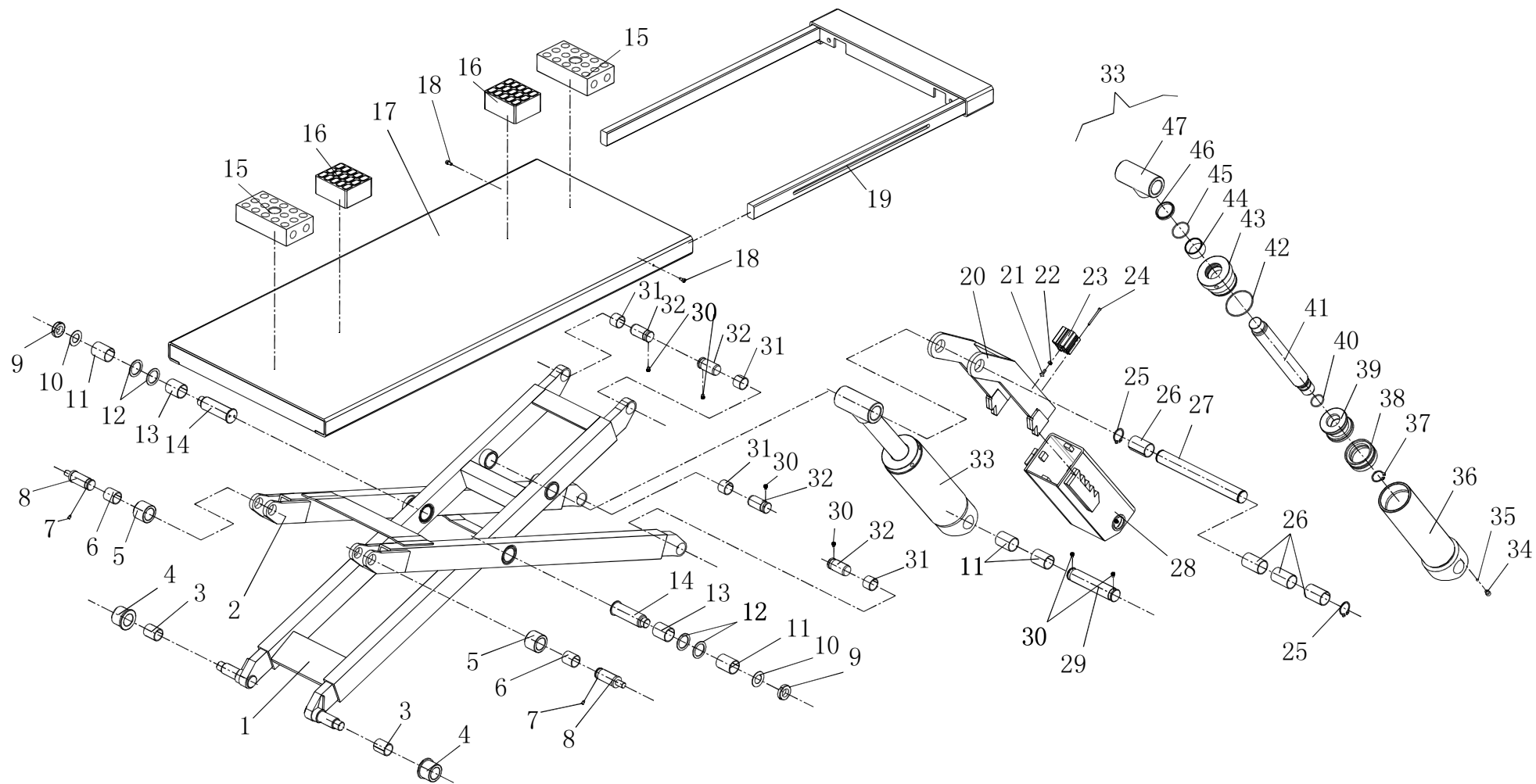


TAV.3.2	PLATFORM - PART 2	ED. 07/17
---------	-------------------	-----------

ITEM	PART NO.	DESCRIPTION	QTY	REMARK
1	0204008	Self-locking nut M16	14	
2	8200B6-800012	Ramp shaft	2	
3	8200TX-007100	Short ramp	2	
4	825D-810001	Spacer	2	
5	8200B4-031500	Spacer	2	
6	J62B810100	Rear extension	2	Special request
7	0207036	Screw M8X20 - GB/T70.3	4	
8	825D-000001	Spacer	2	
9	825D-140100	Spacer	2	
10	0205013	Washer D.12 - GB/T97.1	16	
11	0201074	Screw M12X30 - GB/T5781	16	
12	J62B142000	P2 rear slipping plate unit	1	
13	J62B140100	Spacer	2	
14	0202032	Screw M6X16 - GB/T70.1	4	
15	0606066	Hose relief 61X5.5	2	
16	0202040	Screw M8X16 - GB/T70.1	12	
17	0206037	Screw M8X25 - GB/T70.2	12	
18	0205008	Washer D.8 - GB/T97.1	24	
19	0209028	Screw M10X16 - GB/T79	16	
20	824-140007	Guide fastening plate	4	
21	824-140006	Upper guide	4	
22	J62B141000	P1 platform	1	
23	0201130	Screw M16X40 - GB/T5783	10	
24	0205020	Washer GB/T97.1/16	10	
25	J62B241000	P2 Platform	1	
26	J62B242000	P1 rear slipping plate unit	1	
27	824B-142003	Bolt	4	

TAV.3.2	PLATFORM - PART 2	ED. 07/17
---------	-------------------	-----------

28	824EH000382	Spring cradle	4	
29	XSZ-6-1	Spring	16	
30	J62B245100	P2 roller gasket	1	
31	J63A332000	Slipping support	16	
32	J62B242001	P2 slipping plate	1	
33	0207036	Screw M8X20 - GB/T70.3	4	
34	824B-142200	Stop pin	4	
35	J62B145100	P1 roller gasket	1	
36	J62B242001	P1 slipping plate	1	
37	8250-000085	Bolt	1	
38	8250-000083	Reflector baseplate	1	
39	0206009	Screw M3X6 – GB/T818	2	
40	DQ00001	Photo reflector	1	
41	0505058	Photocell	1	optional
42	0206032	Screw M6X16 - GB/T818	32	
43	0203004	Nut M6 - GB/T52	32	
44	J62B400000	Long ramp for on-ground installation	2	optional

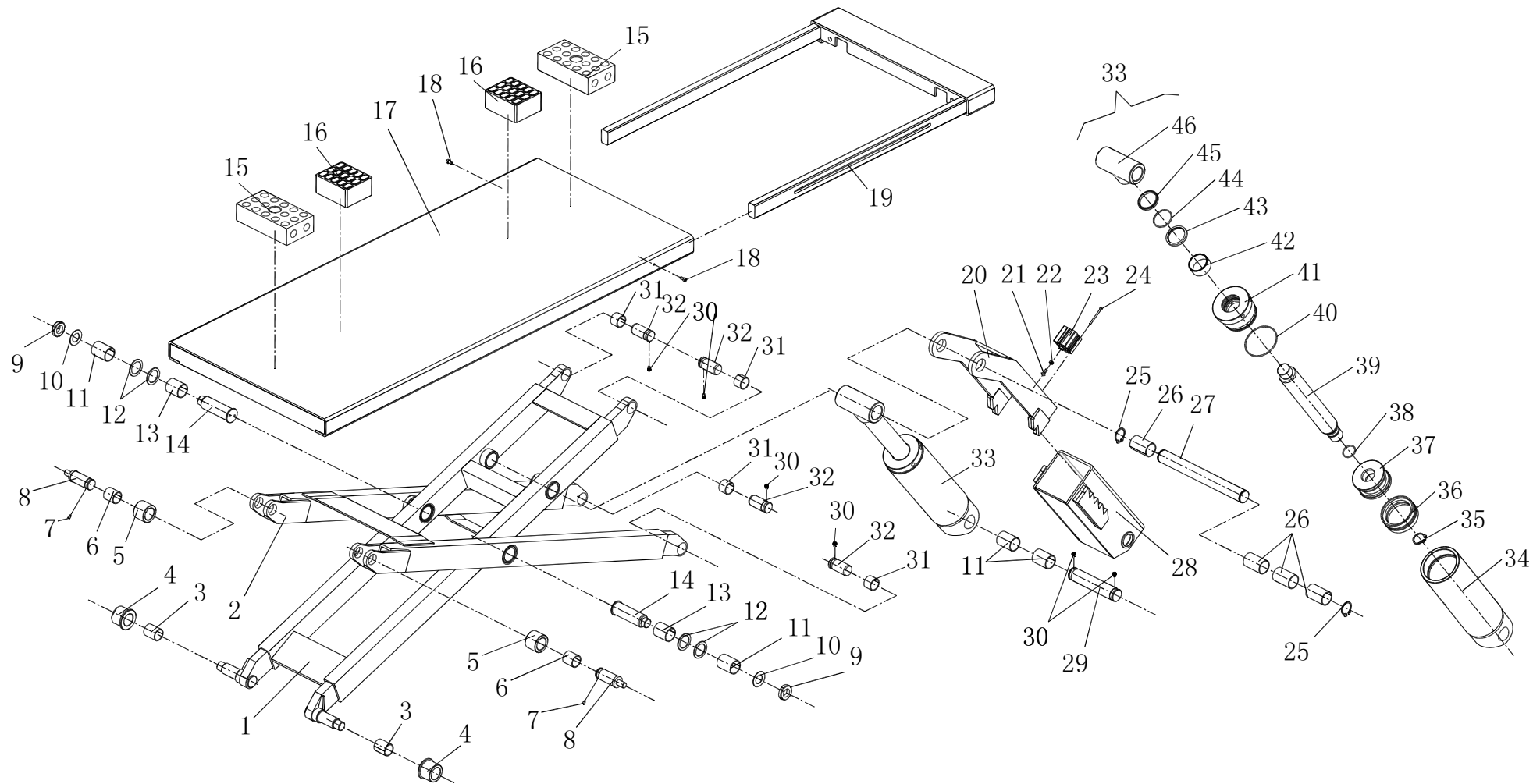


TAV.4.0	P1 WHEEL FREE JACK	ED. 07/17
---------	--------------------	-----------

ITEM	PART NO.	DESCRIPTION	QTY	REMARK
1	824-153000	Inner scissor arm	1	
2	824-152000	Outer scissor arm	1	
3	0210016	Bush SF-1/3040	2	
4	8250-04-02-02	Lower wheel	2	
5	8250-04-01-02	Upper wheel	2	
6	0210057	Bush SF-1/3035	2	
7	0209002	Screw M6X10 - GB/T79	2	
8	8250-04-01-01	Upper shaft	2	
9	0204060	Self-locking nut M25X1.5	2	
10	ZJJ3-04-01-09A	Spacer	2	
11	0210027	Bush SF-1/3550	4	
12	GJ300-400009	Shim 2	4	
13	0210055	Bush SF-1/3545	2	
14	824-04-01-08	Central shaft	2	
15	0606032	Rubber block 180X100X55	2	
16	0606033	Rubber block 115X100X55	2	
17	824-05-00	Lifting table	1	
18	0202024	Screw M6X12 - GB/T70.1	2	
19	824-05-9	Table extension	1	
20	8250-07-02	Upper safety rack	1	
21	0201173	Screw M6X16 - GB/T12	1	
22	0203004	Nut M6 - GB52	1	
23	0306010	Safety release air cylinder 32X23	1	
24	0202010	Screw M4X50 - GB/T70.1	4	
25	0212022	Seeger D.35	2	
26	0210028	Bush SF-1/3560	4	
27	8250-07-01	Cylinder upper shaft	1	

TAV.4.0	P1 WHEEL FREE JACK	ED. 07/17
---------	--------------------	-----------

28	8250-07-06	Lower safety rack	1
29	8250-06-01	Cylinder lower shaft	1
30	0209025	Screw M8X12 - GB/T79	6
31	0210013	Bush SF-1/3024	4
32	8250-04-02-08	Shaft	4
33	J62BY40000	P1 jack hydraulic cylinder unit	1
34	8250-07D	Bleeding screw	1
35	0215059	Steel ball D.6	1
36	J62BY41000	P1 jack cylinder liner	1
37	0212007	Seeger D.32	1
38	0312016	Gasket 80X60X22.4	1
39	ZJJ40-02D	P1 jack cylinder piston	1
40	0309027	O-ring 38X3.1	1
41	ZJJ40-04D	P1 jacking cylinder shaft	1
42	0309041	O-ring 80X3.1	1
43	ZJJ40-05D	Cylinder guiding cover	1
44	0305006	Guiding ring 45X25X2.5	1
45	0309030	O-ring 50X3.1	1
46	0311009	Scraper 45X53X5/6.5	1
47	8250-06C	Cylinder bracket	1

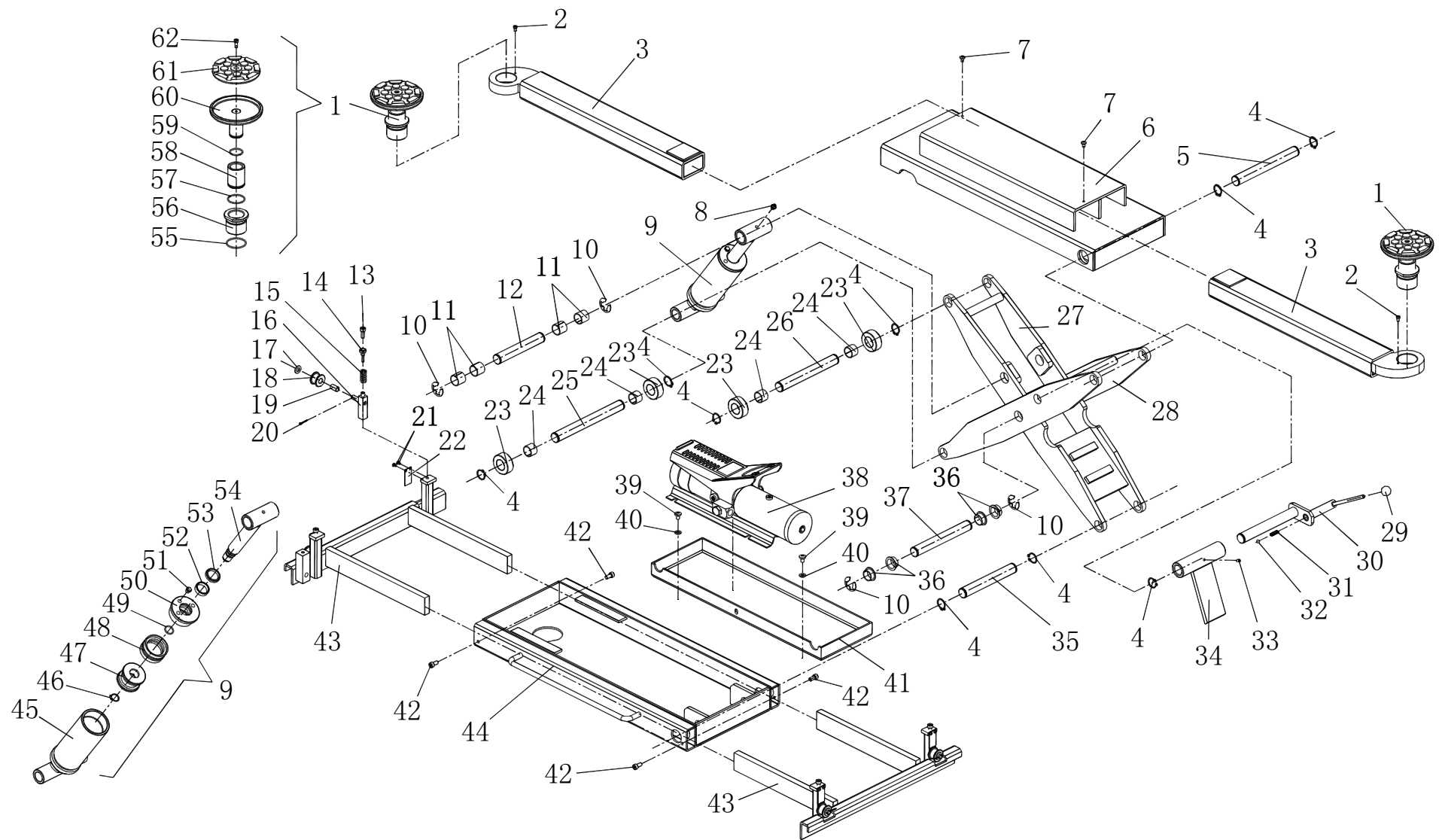


TAV.5.0	P2 WHEEL FREE JACK	ED. 07/17
---------	--------------------	-----------

ITEM	PART NO.	DESCRIPTION	QTY	REMARK
1	824-153000	Inner scissor arm	1	
2	824-152000	Outer scissor arm	1	
3	0210016	Bush SF-1/3040	2	
4	8250-04-02-02	Lower wheel	2	
5	8250-04-01-02	Upper wheel	2	
6	0210057	Bush SF-1/3035	2	
7	0209002	Screw M6X10 - GB/T79	2	
8	8250-04-01-01	Upper shaft	2	
9	0204060	Self-locking nut M25X1.5	2	
10	ZJJ3-04-01-09A	Spacer	2	
11	0210027	Bush SF-1/3550	4	
12	GJ300-400009	Shim 2	4	
13	0210055	Bush SF-1/3545	2	
14	824-04-01-08	Central shaft	2	
15	0606032	Rubber block 180X100X55	2	
16	0606033	Rubber block 115X100X55	2	
17	824-05-00	Lifting table	1	
18	0202024	Screw M6X12 - GB/T70.1	2	
19	824-05-9	Table extension	1	
20	8250-07-02	Upper safety rack	1	
21	0201173	Screw M6X16 - GB/T12	1	
22	0203004	Nut M6 - GB52	1	
23	0306010	Safety release air cylinder 32X23	1	
24	0202010	Screw M4X50 - GB/T70.1	4	
25	0212022	Seeger D.35	2	
26	0210028	Bush SF-1/3560	4	
27	8250-07-01	Cylinder upper shaft	1	

TAV.5.0	P2 WHEEL FREE JACK	ED. 07/17
---------	--------------------	-----------

28	8250-07-03	Lower safety rack	1
29	8250-06-01	Cylinder lower shaft	1
30	0209025	Screw M8X12 - GB/T79	6
31	0210013	Bush SF-1/3024	4
32	8250-04-02-08	Shaft	4
33	J62BY30000	P2 Jack hydraulic cylinder unit	1
34	J62BY31000	P2 jack cylinder liner	1
35	0212007	Seeger D.32	1
36	0312019	Gasket 95X75X22.4	1
37	ZJJ40-02B	P2 jacking cylinder piston	1
38	0309027	O-ring 38X3.1	1
39	ZJJ40-04C	P2 jacking cylinder shaft	1
40	0309045	O-ring 95X3.1	1
41	ZJJ40-05C	Cylinder guiding cover	1
42	0305006	Guiding ring 50X25X2.5	1
43	0310015	Seal 50X60X6	1
44	0309082	O-ring 55X3.1	1
45	0311010	Scraper 50X58X5/6.5	1
46	8250-06C	Cylinder bracket	1



TAV.6.0	JACKING BEAM	ED. 07/17
---------	--------------	-----------

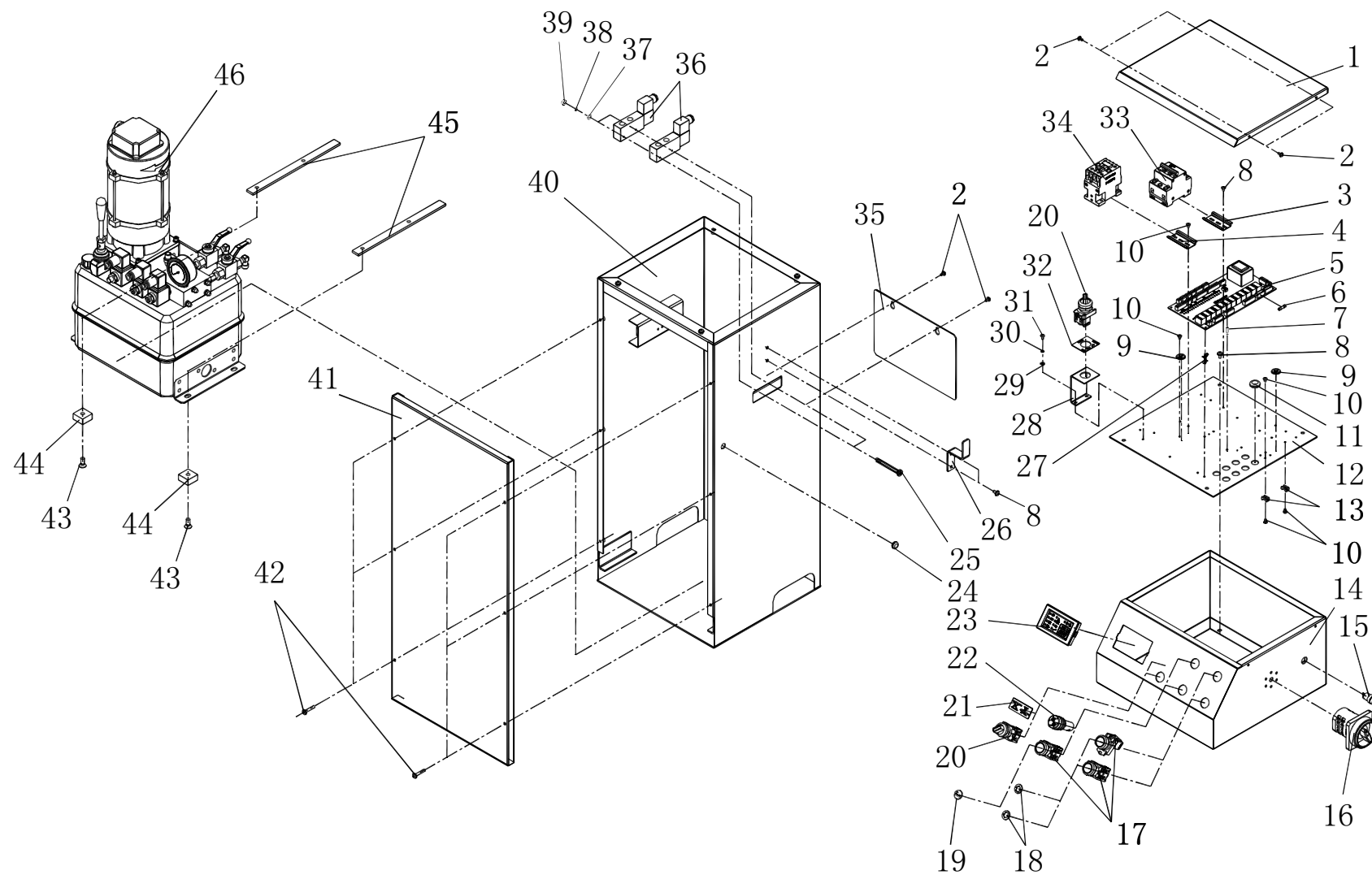
ITEM	PART NO.	DESCRIPTION	QTY	REMARK
1	Z23A313000	Lifting adaptor assembly	2	
2	0202020	Screw M5X8 - GB/T70.1	2	
3	J07K220000	Lifting arm	2	
4	0212004	Seeger D.25	9	
5	HJ-RG-10-4	Shaft	1	
6	J07K210000	Beam	1	
7	0206031	Screw M6X10 - GB/T818	2	
8	0215021	Greaser 8X1	1	
9	HJ-63-0	Jack hydraulic cylinder unit	1	
10	0211003	Seeger D.19	4	
11	0210009	Bush SF-1/2525	4	
12	HJ-RG-19	Cylinder upper shaft	1	
13	0202045	Screw 8X20 - GB/T70.1	4	
14	J07K180001	Pin	4	
15	HJ-RG-18	Spring	4	
16	J07K130000	Slider	4	
17	0205011	Washer D.10 - GB/T97.1	4	
18	HJ-RG-14	Roller	4	
19	0210001	Bush SF-1/1020	4	
20	0213044	Split pin 2X20	4	
21	0206019	Screw M4X6 - GB/T818	8	
22	J07K180002	Anti-derailment plate	4	
23	HJ-RG-11-1	Wheel	4	
24	0210008	Bush SF-1/2520	4	
25	HJ-RG-10-5	Cylinder lower shaft	1	
26	HJ-RG-10-3	Shaft	1	
27	J07K400000	Inner scissor arm	1	

TAV.6.0	JACKING BEAM	ED. 07/17
---------	--------------	-----------

28	J07K300000	Outer scissor arm	1
29	0215016	Handle knob M8X25	1
30	HJ-RG-08-0	Safety release handle	1
31	HJ-SB-19-3	Spring	1
32	0215038	Steel ball D.8	1
33	0209010	Screw M6X10 - GB/T78	1
34	HJ-RG-09-0	Safety hook	1
35	HJ-RG-10-1	Shaft	1
36	0210066	Bush SF-1/2512F	4
37	HJ-RG-10-2	Central shaft	1
38	0301038	Air-hydraulic pedal pump 800CC	1
39	0206001	Screw M8X12 - GB/T818	2
40	0205008	Washer D.8 - GB/T97.1	2
41	6740A-61101A	Pump tray	1
42	0202040	Screw M8X16 - GB/T70.1	4
43	J07K120000	Base extension	2
44	J07Q110000	Jack base	1
45	HJ-63-1	Jack cylinder liner	1
46	0212005	Seeger D.20	1
47	8240TX-63-2	Jack cylinder piston	1
48	0312012	Gasket 63X47X18.4	1
49	0309022	O-ring 24X2.4	1
50	8240TX-63-3	Cylinder guiding cover	1
51	0306087	Silencer 1/8	1
52	0305007	Guiding ring 30x10x2.5	1
53	0311005	Scraper 30X38X5/6.5	1
54	HJ-75-4	Cylinder shaft	1

TAV.6.0	JACKING BEAM	ED. 07/17
---------	--------------	-----------

55	0309091	O-ring 45X2.65	2
56	Z23A313002	Outer threaded bush	2
57	0212034	Seeger D.42	2
58	Z23A313001	Inner threaded bush	2
59	0212035	Seeger D.32	2
60	Z23A313100	Pad support	2
61	Z23A313202	Rubber pad	2
62	0202032	Screw M6X16 - GB/T70.1	2

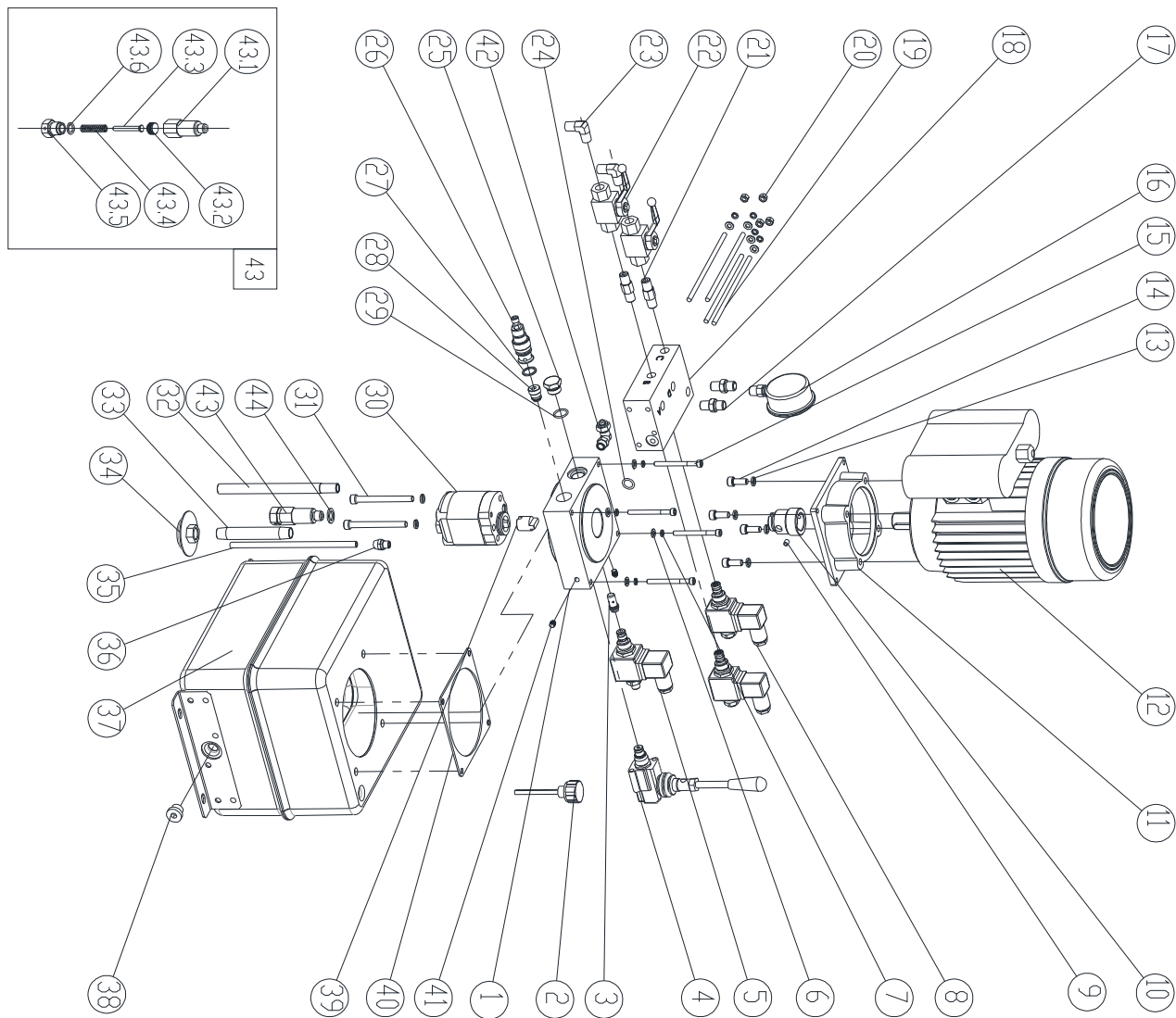


TAV.7.0	CONTROL UNIT	ED. 07/17
---------	--------------	-----------

ITEM	PART NO.	DESCRIPTION	QTY	REMARK
1	J04A030002	Top cover	1	
2	0206059	Screw M4X8	6	
3	0508330	Guide DZ47 L=80mm	1	
4	0508330	Guide DZ47 L=45mm	1	
5	0507349	CPU board 101.2	1	
6	0504016	FUSE 1A(5X20)	3	
7	0204077	Screw M3X12	2	
8	0206058	Screw M5X10	6	
9	0510380	Ground decal	2	
10	0206019	Screw M4X6-GB/T818	10	
11	0508017	Cable relief GM-2314	8	
12	J04A110001	Support	1	
13	0508018	Holder HC-1(Φ4)	2	
14	J04A113000	Top box	1	
15	0502017	Pushbutton LA16Y-11-Y	1	
16	0505022	Power switch HZ5-2-20A	1	
17	0502024	Pushbutton LAY37T-10	3	
18	0510196	Up decal	2	
19	0510196	Safety lock decal	1	
20	0502004	Selector LAY37T-10X-2	2	
21	0510379	Main/jack selector decal	1	
22	0502021	Beeper AD16-22SM	1	
23	0507163	Function display 502D	1	
24	0508013	Cable relief GM-1710	1	
25	0206071	Screw M3X60-GB/T818	2	
26	3002002009	Cable holder	1	
27	0508302	Holder HDB-16A	4	

TAV.7.0	CONTROL UNIT	ED. 07/17
---------	--------------	-----------

28	3054502200	Support	1	
29	0205002	Washer D.4-GB/T97.1	2	
30	0208002	Washer D.4-GB/T93	2	
31	0206023	Screw M4X8-GB/T818	2	
32	0510182	Decal	1	
33a	0501066	Breaker DZ47-63/3P-D16A	1	For 380V/3ph
33b	0501074	Breaker DZ47-63/2P-D32A	1	For 220V/1ph
34	0501070	AC contactor CJX2-1810(AC220V)	1	
35	3054503904	Back cover	1	
36	0306177	Solenoid valve G1/4 3V210-08-AC220V	2	
37	0205001	Washer D.3-GB/T97.1	2	
38	0208001	Washer D.3-GB/T93	2	
39	0203001	Nut M3-GB52	2	
40	J04A031000	Lower box	1	
41	J04A030003	Front cover	1	
42	0206028	ScrewM5X25 - GT/T818	6	
43	0207019	Screw M8X20-GB/T819.1	4	
44	3032084008	Rubber pad	4	
45	3002005001	Support	2	
46	BZ-W4K1Y	Hydraulic power unit	1	

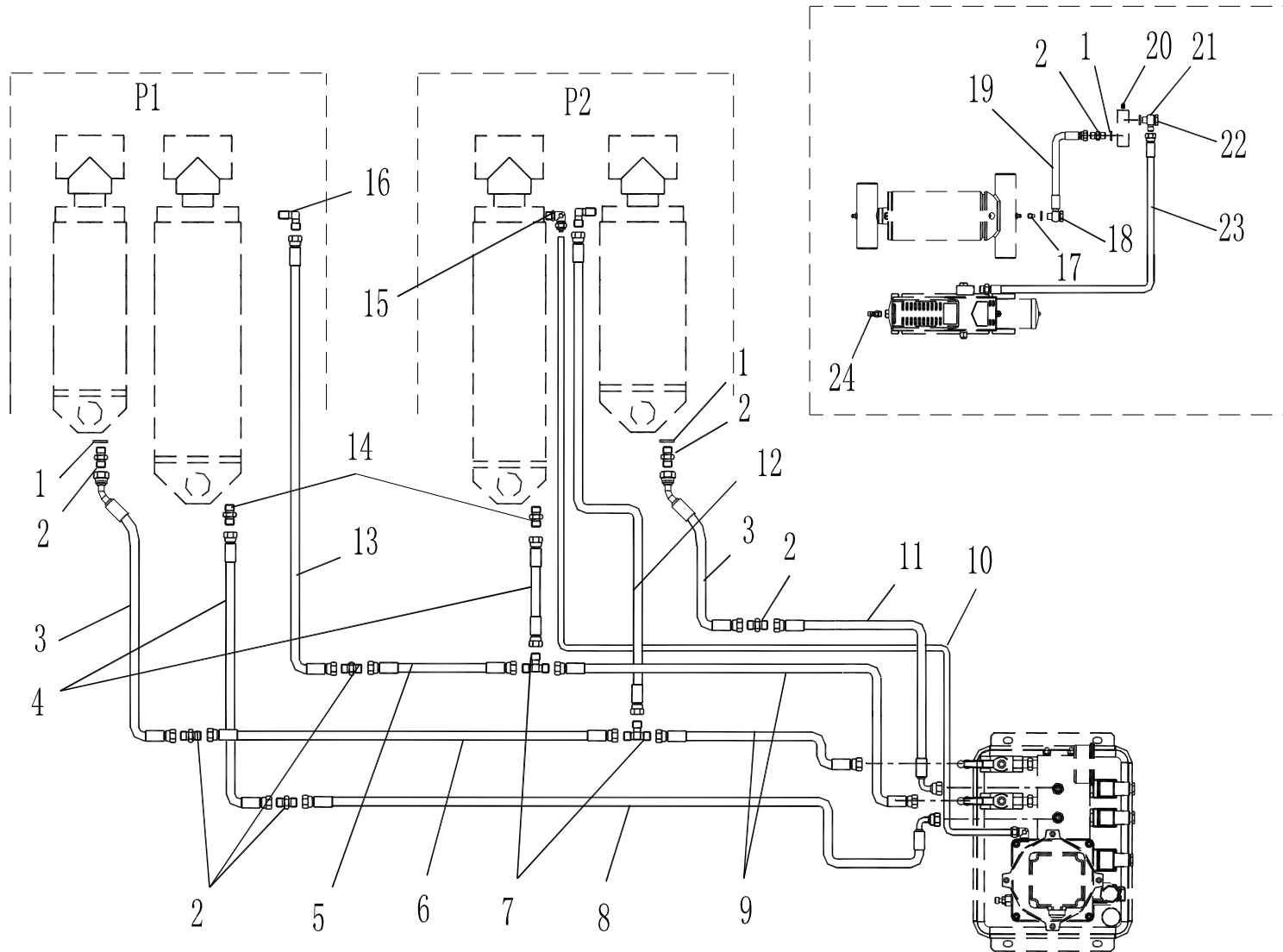


TAV.7.46	HYDRAULIC POWER UNIT	ED. 07/17
----------	----------------------	-----------

ITEM	PART NO.	DESCRIPTION	QTY	REMARK
1	BZ-ZB-W4	Manifold	1	
2	0305026	Oil level plug 3/8	1	
3	0307006	Lowering speed control valve BLF06-02-00/Φ2.5	1	
4	0301034	Manual pump QTHB-14	1	
5	0307049	Lowering solenoid valve (AC220V)	1	
6	0205006	Washer D.6 - GB/T97.1	8	
7	0208005	Spring washer D.6 - GB/T93	8	
8	0307043	Solenoid valve (220V)	2	
9	0209042	Screw M6X8 - GB/T80	1	
10	BZ-ZT24	Motor joint	1	
11	BZ-DJ-1B	Motor flange	1	
12a	0509028	Motor 380V/50Hz/3PH 3.5KW	1	
12b	0509071	Motor 220V/50Hz/1PH 2.2KW	1	
12c	0509092	Motor 220V/60Hz/1PH 2.2KW	1	
13	0208006	Spring washer D.8 - GB/T93	6	
14	0202045	Screw M8X20 - GB/T70.1	4	
15	0202036	Screw M6X65 - GB/T70.1	4	
16	0305054	Pressure gauge LA-60X400	1	
17	0303063	Union 1/4 1BT-04SP	2	
18	BZ-W-YK1	Interface block	1	
19	0213032	Double-screw bolt M6X160-GB/T901	4	
20	0203004	Nut M6-GB52	4	
21	0303060	Union 1T-04SPL	2	
22	0307041	Leveling cutoff cock 1/4 BKH224-DN06-G1/4	2	
23	0303002	90° union 1/4 1BT9-04SP	2	
24	0309019	O-ring 18X2.4 - GB1235	1	
25	BZ-SD-01	Plug	1	

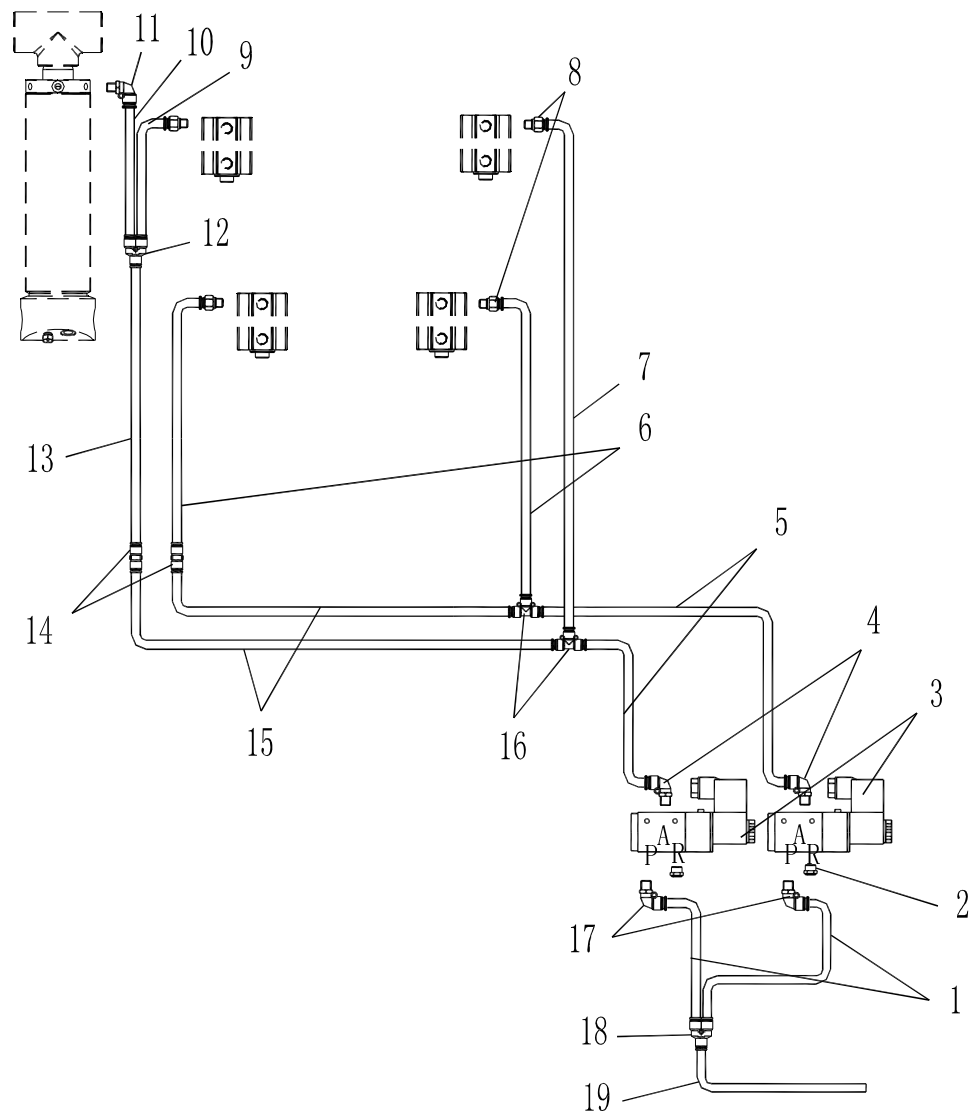
TAV.7.46	HYDRAULIC POWER UNIT	ED. 07/17
----------	----------------------	-----------

26	0307010	Pressure overload valve FYF06-01-00	1	
27	0313057	Copper washer 16X20	1	
28	0307067	Non return valve GDF-06-07-00	1	
29	0309054	O-ring 17X2	1	
30a	0301022	Gear pump 4.8CC	1	For 3PH motor
30b	0301041	Gear pump 1.6CC	1	For 1PH/50Hz motor
30c	0301040	Gear pump 1.3CC	1	For 1PH/60Hz motor
31	0202052	Screw M8X85 - GB/T70.1	2	
32	BZ-G14X200	Oil return pipe	1	
33	BZ-G18X110	Oil suction pipe	1	
34	0305010	Oil filter ZG3/8" ZF-08	1	
35	0306097	Rilsan hose 8X5 L=190	1	
36	0306069	Rotation union 8-1/8	1	
37	HK2-0200	Oil tank	1	
38	0305018	Plug 4BN-06WD G3/8	1	
39	BZ-BJ25	Pump joint	1	
40	BZ-F-01	Gasket	1	
41	0305001	Plug ZBJ22 007-QD07	2	
42	0306067	Union Φ 10 ZG1-4	1	
43	BZ-HC2-0	Startup valve	1	For 1PH motor
43.1	BZ-HC2-1	Valve body	1	For 1PH motor
43.2	BZ-HC-2	Valve piston	1	For 1PH motor
43.3	BZ-HC2-3	Valve pin	1	For 1PH motor
43.4	BZ-HC2-4	Spring	1	For 1PH motor
43.5	BZ-HC2-5	Valve back cover	1	For 1PH motor
43.6	BZ-HC-6	Seal Φ 16X Φ 9X2.5	1	For 1PH motor
44	0313001	Washer BS/A13.70	1	For 1PH motor



TAV.8.1	HYDRAULIC PIPE LINE	ED. 07/17
---------	---------------------	-----------

ITEM	PART NO.	DESCRIPTION	QTY	REMARK
1	0313001	Washer 1/4	8	
2	0303065	Union 1/4	7	
3	ZX5900	Hydraulic hose L=5900	2	
4	ZZ370	Hydraulic hose L=370	2	
5	ZZ1400	Hydraulic hose L=1400	1	
6	ZZ1800	Hydraulic hose L=1800	1	
7	0303021	Tee union 1/4	2	
8	ZW5430	Hydraulic hose L=5430	1	
9	ZZ3600	Hydraulic hose L=3600	2	
10	0306109	Rilsanholes 10X6.5X4900	1	
11	ZW3700	Hydraulic hose L=3700	1	
12	ZZ6250	Hydraulic hose L=6250	1	
13	ZZ1250	Hydraulic hose L=1250	1	
14	0303063	Union 1/4	2	
15	0306067	90 degree rotation union 10-1/4	1	
16	0303002	90 degree rotation union 1/4	2	
17	BZ-GZ-002	Fluid restrictor	1	
18	BZ-720B-0401	Banjo bolt	1	
19	ZJ380	Hydraulic hose L=380	1	
20	0305001	Plug	1	
21	0303030	Banjo union 1/4	1	
22	0303027	Banjo bolt	1	
23	ZY900	Hydraulic hose L=900	1	
24	0306112	Quick union 8-1/4	1	



TAV.8.2	PNEUMATIC PIPE LINE	ED. 07/17
---------	---------------------	-----------

ITEM	PART NO.	DESCRIPTION	QTY	REMARK
1	0306097	Rilsan hose 8X5X120B	2	
2	0306086	Silencer 1/4	2	
3	0306190	Safety release solenoid valve DC24V	2	
4	0306047	90 degree quick union6-1/4	2	
5	0306095	Rilsan hose 6X4X4200	2	
6	0306095	Rilsan hose 6X4X3200	2	
7	0306095	Rilsan hose 6X4X6100	1	
8	0306046	Quick union6-1/8	4	
9	0306095	Rilsan hose 6X4X300	1	
10	0306095	Rilsan hose 6X4X600	1	
11	0306040	90 degree quick union 6 -1/8	1	
12	0306158	Y union 6	1	
13	0306095	Rilsan hose 6X4X5800	1	
14	0306041	Quick union 6	2	
15	0306095	Rilsan hose 6X4X2200	2	
16	0306025	Tee quick union 6	2	
17	0306032	90 degree quick union 8-1/4	2	
18	0306002	Y quick union 8	1	
19	0306097	Rilsan hose 8X5X2000	1	