

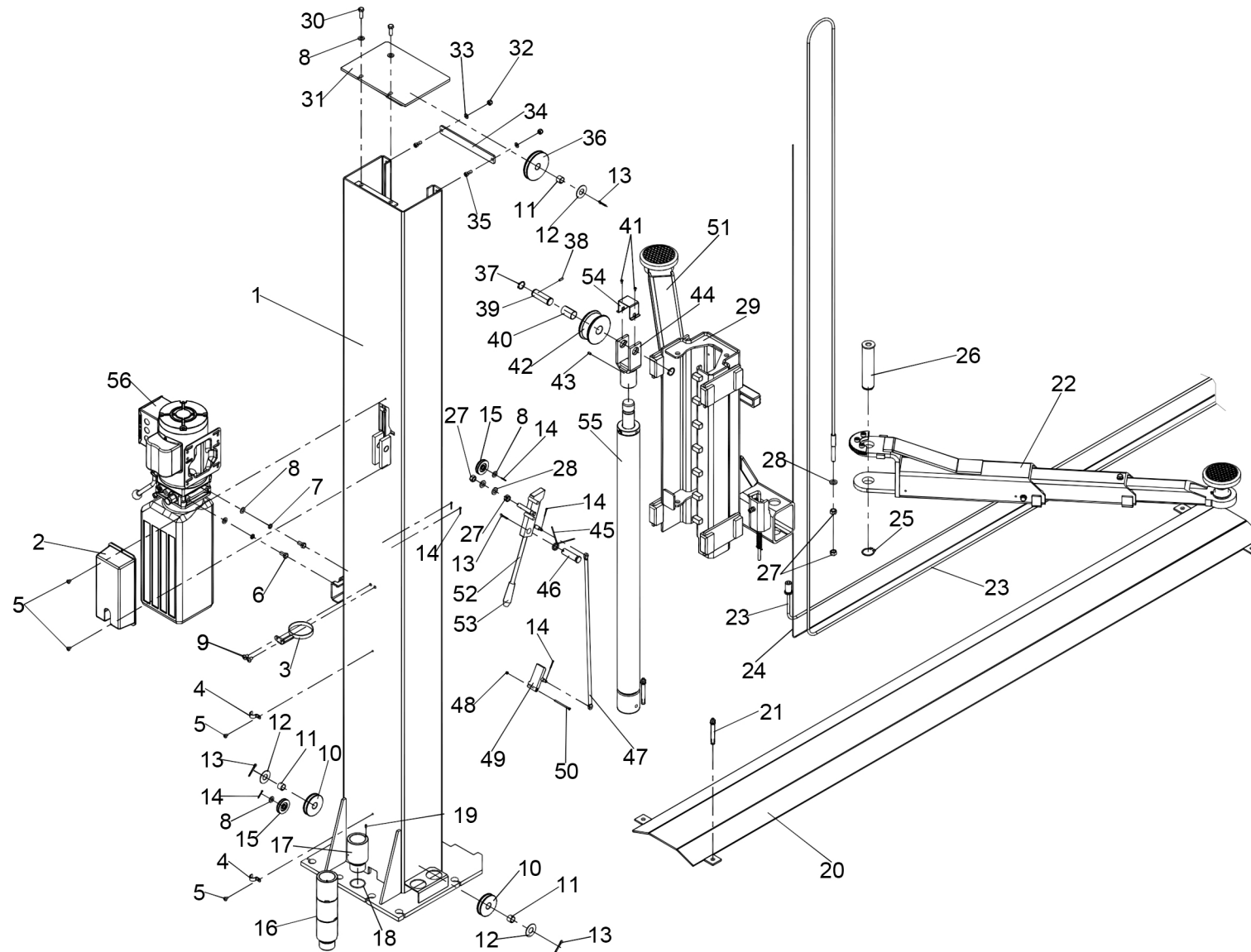


ДВУХСТОЕЧНЫЙ ЭЛЕКТРОГИДРАВЛИЧЕСКИЙ
ПОДЪЕМНИК
ПГА-4000-НС



КАТАЛОГ ЗАПЧАСТЕЙ

EAC



TAV.1	MAIN COLUMN ASSEMBLY	ED. 12/2020
-------	----------------------	-------------

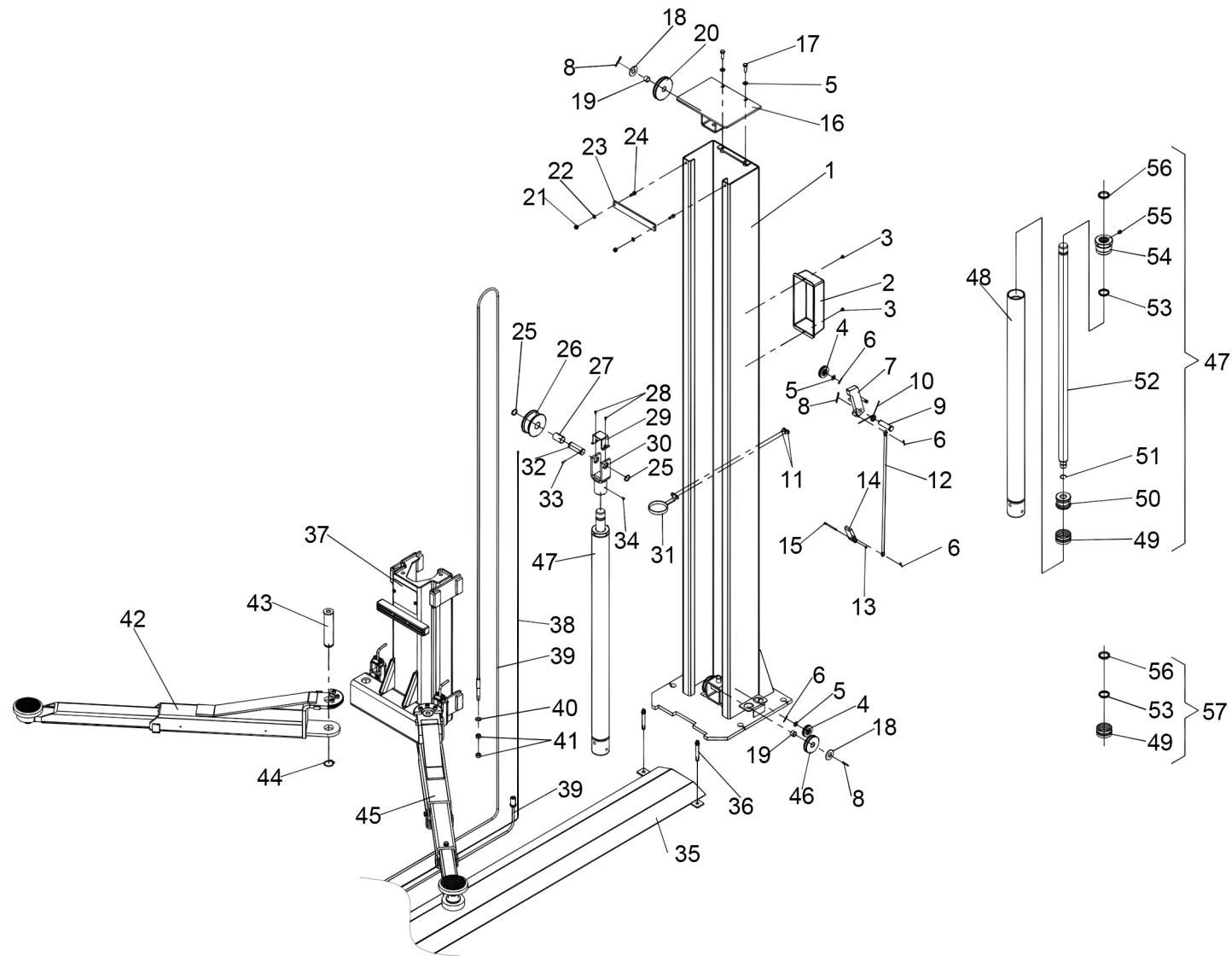
ITEM	PART NO.	DESCRIPTION	QTY	REMARK
1	Z11B111000	Power-side column	1	
2	Z31A110003	ABS cover with hole	1	
3	Z11B115000	Support	1	
4	Z23G150202	Pipe clamp	2	
5	0206036	Screw M6X8	4	
6	0201062	Screw M10X20	2	
7	0208007	Spring washer D.10	2	
8	0205011	Washer D.10	6	
9	0206001	Screw M8X12	2	
10	Z31A110005	Lower pulley	2	
11	0210112	Bush SF-1/1915	3	
12	Z11G170101	Spacer	3	
13	0213035	Pin 4X30	4	
14	0213044	Pin 2X20	6	
15	Z31A110004	Roller	2	
16	Z23A601200	Pad extension H.80	3	
17	Z23A601201	Pad extension H.80	1	
18	0309091	O-ring 45X2.65	1	
19	0213098	Pin 4X10	1	
20	Z11B421000W	Base plate	1	
21	0215114	Anchor bolts M8X100	2	
22	Z31B340000	Lifting arm – double extensions	1	
23	Z11B500000W	Equalizer steel cable	2	
24	Z11B510000W	Safety release wire	1	
25	0212023	Seeger D.38	2	
26	Z31B000100	Arm shaft	2	
27	0203023	Nut M12	4	

TAV.1	MAIN COLUMN ASSEMBLY	ED. 12/2020
-------	----------------------	-------------

28	0205013	Washer D.12	3
29	Z11B210000	Main carriage	1
30	0201049	Screw M10X30	2
31	Z11B112000	Top cover	1
32	0204004	Nut M8	2
33	0205008	Washer D.8	2
34	Z11B110003	Connection plate	1
35	0202045	Screw M8X20	2
36	Z11B110004	Upper pulley	1
37	0212049	Seeger JB ZQ 4342-86	2
38	0213173	Pin 5X16	1
39	Z11C600001	Pulley shaft	1
40	0210008	Bush SF-1/2544	1
41	0206023	Screw M4X8	2
42	Z31A600002	Pulley	1
43	0209037	Screw M6X10	1
44	Z31A600100	Pulley base	1
45	Z31A110002	Spring	1
46	Z31A110001	Shaft	1
47	Z11B110002	Connection rod	1
48	0204001	Nut M4	1
49	Z11B114000SY	Safety hook	1
50	0202141	Screw M4X65	1
51	Z31B350000	Lifting arm – single extension	1
52	Z11B113000	Safety rack	1
53	0603216	Handle cover	1
54	Z11A540102	Chain collar	1

TAV.1	MAIN COLUMN ASSEMBLY	ED. 12/2020
-------	----------------------	-------------

55	Z31AY63000	Hydraulic cylinder	1
56a	0302014	Hydraulic power unit 220V60Hz1Ph	1
56b	0302016	Hydraulic power unit 220V50Hz1Ph	1
56c	0302017	Hydraulic power unit 380V50Hz3Ph	1



TAV.2	OFFSIDE COLUMN ASSEMBLY	ED. 12/2020
-------	-------------------------	-------------

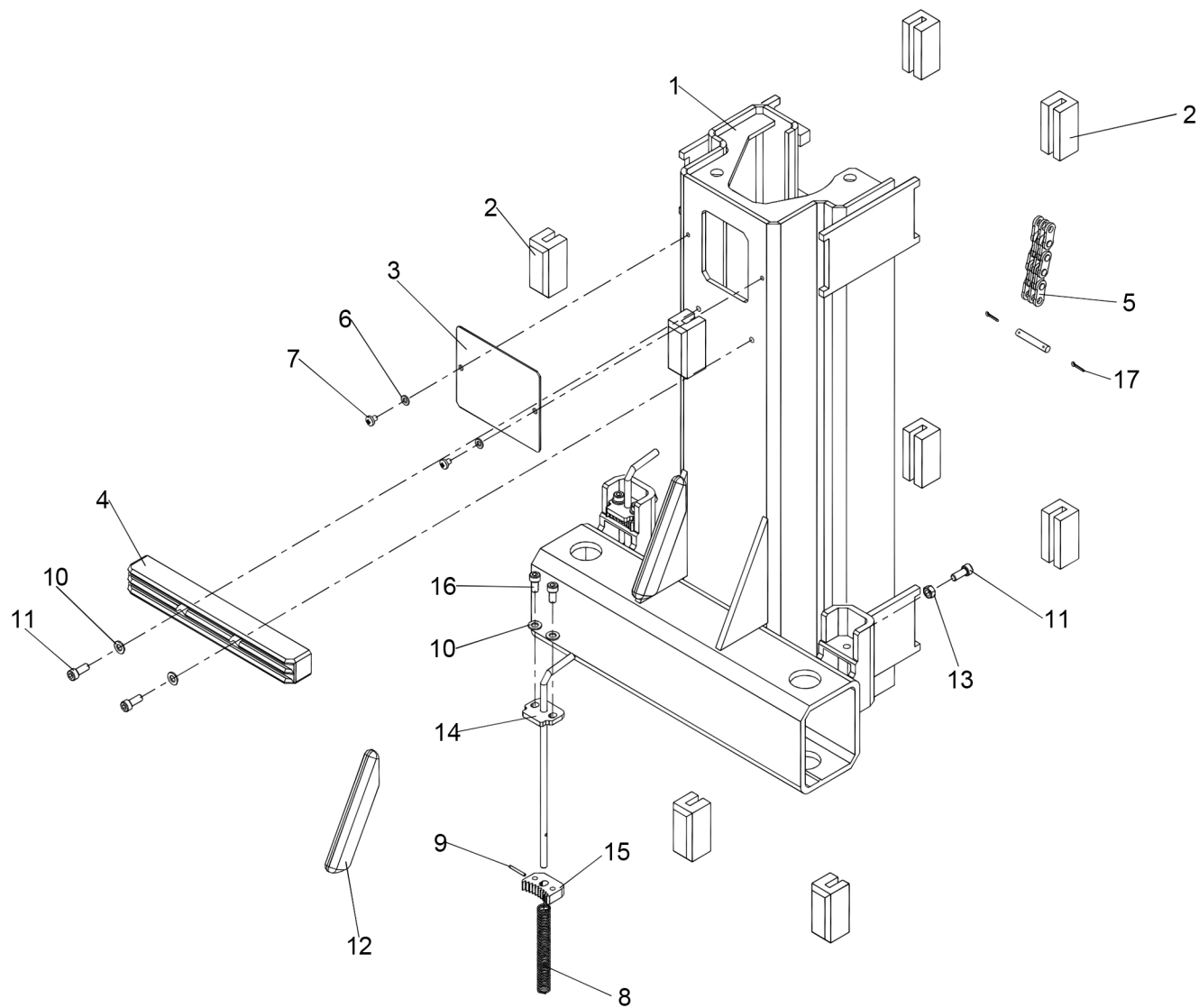
ITEM	PART NO.	DESCRIPTION	QTY	REMARK
1	Z11B121000	Off-side column	1	
2	Z31A110003A	ABS cover	1	
3	0206036	Screw M6X8	2	
4	Z31A110004	Roller	2	
5	0205011	Washer D.10	4	
6	0213044	Pin 2X20	4	
7	Z11B122000	Safety rack	1	
8	0213035	Pin 4X30	4	
9	Z31A110001	Shaft	1	
10	Z31A110002	Spring	1	
11	0206001	Screw M8X12	2	
12	Z11B110002	Connection rod	1	
13	0204001	Nut M4	1	
14	Z11B123000	Safety hook	1	
15	0202141	Screw M4X65	1	
16	Z11B112000	Top cover	1	
17	0201049	Screw M10X30	2	
18	Z11G170101	Spacer	3	
19	0210112	Bush SF-1/1915	3	
20	Z11B110004	Upper pulley	1	
21	0204004	Nut M8	2	
22	0205008	Washer D.8	2	
23	Z11B110003	Connection plate	1	
24	0202045	Screw M8X20	2	
25	0212049	Seeger JB ZQ 4342-86	2	
26	Z31A600002	Pulley	1	
27	0210008	Bush SF-1/2544	1	

TAV.2	OFFSIDE COLUMN ASSEMBLY	ED. 12/2020
-------	-------------------------	-------------

28	0206023	Screw M4X8	2
29	Z11A540102	Chain collar	1
30	Z31A600100	Pulley base	1
31	Z11B115000	Support	1
32	Z11C600001	Pulley shaft	1
33	0213173	Pin 5X16	1
34	0209037	Screw M6X10	1
35	Z11B421000W	Base plate	1
36	0215114	Anchor bolts M8X100	2
37	Z11B220000	Slave carriage	1
38	Z11B510000W	Safety release wire	1
39	Z11B500000W	Equalizer steel cable	2
40	0205013	Washer D.12	1
41	0203023	Nut M12	2
42	Z31B350000	Lifting arm – single extension	1
43	Z31B000100	Arm shaft	2
44	0212023	Seeger D.38	2
45	Z31B340000	Lifting arm – double extensions	1
46	Z31A110005	Lower pulley	2
47	Z31AY63000	Hydraulic cylinder	1
48	Z31AY63100	Cylinder liner	1
49	0312012	Gasket 63X47X18.4	1
50	Z31AY63001	Piston	1
51	0211032	Seeger D. 25	1
52	Z31AY63004	Piston rod	1
53	0305005	Guiding ring 38X5.6X2.5	1
54	SYJ-30-63-6	Cylinder guiding cover	1

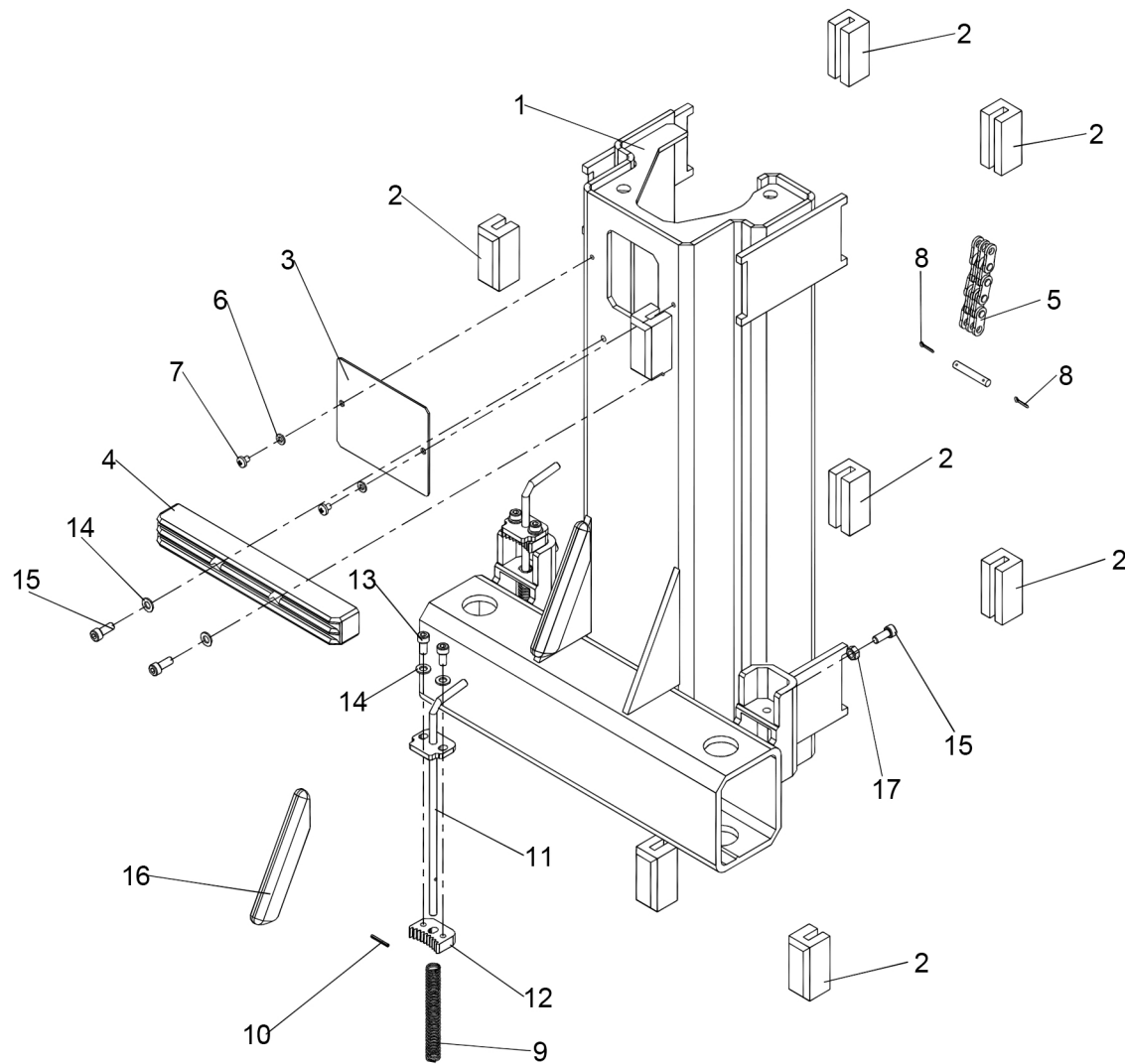
TAV.2	OFFSIDE COLUMN ASSEMBLY	ED. 12/2020
-------	-------------------------	-------------

55	0306087	Silencer 1/8	1
56	0311007	Scraper 38X46X5/6.5	1
57	Z31AY63000-M	Hydraulic cylinder seal kit	1



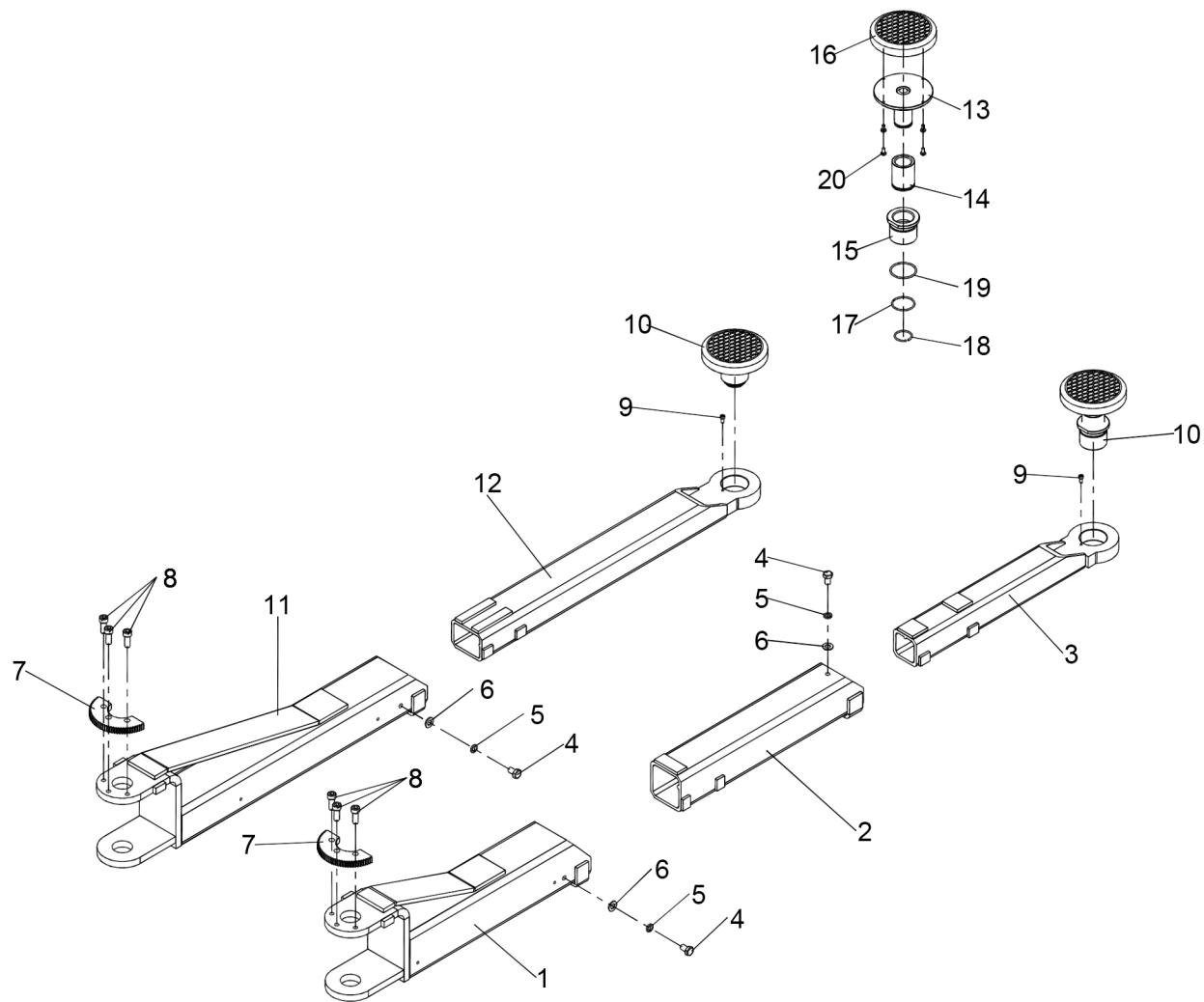
TAV.3	MAIN CARRIAGE	ED. 12/2020
-------	---------------	-------------

ITEM	PART NO.	DESCRIPTION	QTY	REMARK
1	Z11B211000	Carriage	1	
2	Z31A210001	Slider	8	
3	Z31A210002	Cover	1	
4	Z23B711001	Rubber pad	1	
5	0215125	Chain BL634X73	1	
6	0205006	Washer D.6 - GB/T97.1	2	
7	0206036	Screw M6X8	2	
8	XSZ-6-5	Spring	2	
9	0213002	Pin 3X25	2	
10	0205008	Washer D.8	6	
11	0202045	Screw M8X20	4	
12	Z31A210003	Protection cover	2	
13	0203029	Nut M8	2	
14	XSZ-6-4Y	Release pin	2	
15	XSZ-6-7TY	Toothed plate	2	
16	0202040	Screw M8X16	4	
17	0213044	Pin 2X20	2	



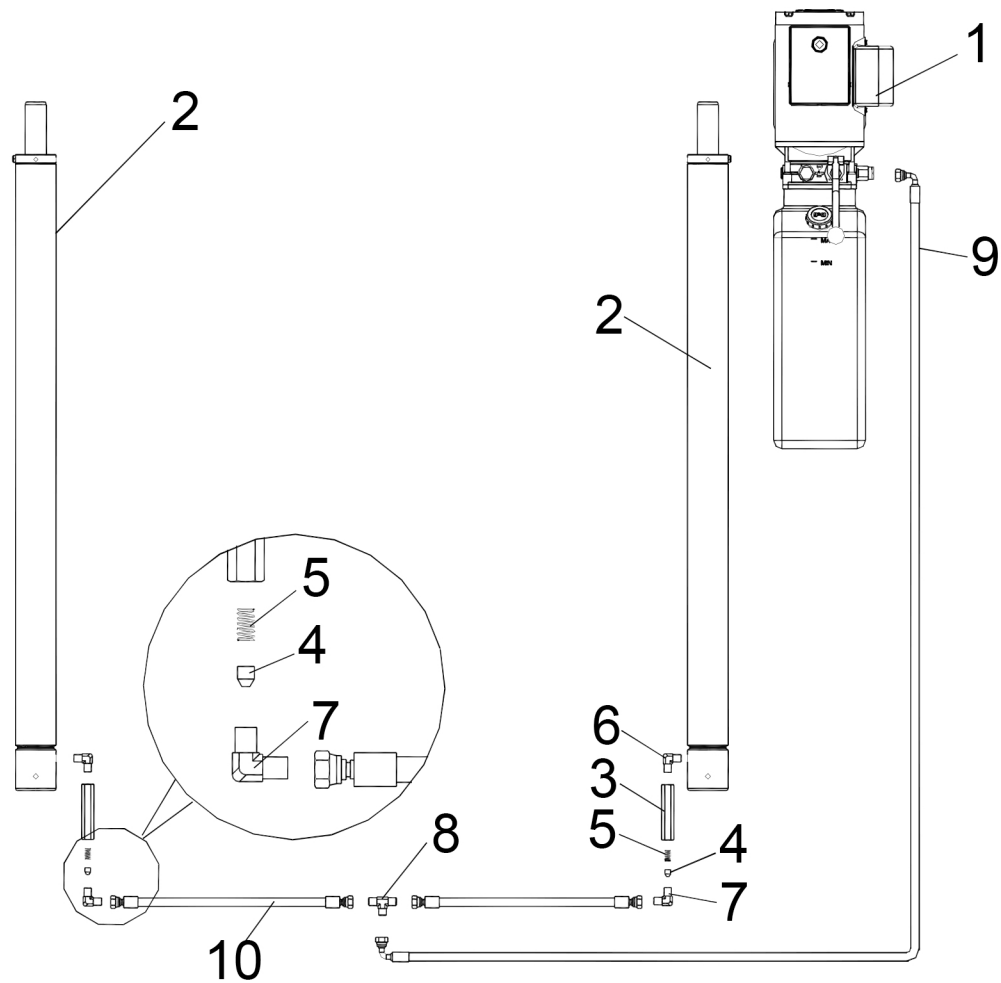
TAV.4	SLAVE CARRIAGE	ED. 12/2020
--------------	-----------------------	--------------------

ITEM	PART NO.	DESCRIPTION	QTY	REMARK
1	Z11B221000	Carriage	1	
2	Z31A210001	Slider	8	
3	Z31A210002	Cover	1	
4	Z23B711001	Rubber pad	1	
5	0215125	Chain BL634X73	1	
6	0205006	Washer D.6 - GB/T97.1	2	
7	0206036	Screw M6X8	2	
8	0213044	Pin 2X20	2	
9	XSZ-6-5	Spring	2	
10	0213002	Elastic pin 3X26 - GB/T879.1	2	
11	XSZ-6-4Y	Release pin	2	
12	XSZ-6-7TY	Toothed plate	2	
13	0202040	Screw M8X16	4	
14	0205008	Washer D.8	6	
15	0202045	Screw M8X20	4	
16	Z31A210003	Protection cover	2	
17	0203029	Nut M8	2	



TAV.5	ARM ASSEMBLY	ED. 12/2020
-------	--------------	-------------

ITEM	PART NO.	DESCRIPTION	QTY	REMARK
1	Z31B311000	Arm frame	1	
2	Z31B312000	Arm middle extension	1	
3	Z31B343000	Arm outer extension	1	
4	0201059	Screw M10X16	3	
5	0208007	Spring washer D.10	3	
6	0205011	Washer D.10	3	
7	XSZ-3-1TY	Anti-rotating gear	2	
8	0202120	Screw M10X25	6	
9	0202015	Screw M5X10	2	
10	Z11F313000	Lifting adaptor assembly	2	
11	Z31B321000	Arm frame	1	
12	Z31B352000	Arm outer extension	1	
13	Z11F313100	Pad support	1	
14	Z23A313001	Inner threaded bush	1	
15	Z23A313002	Outer threaded bush	1	
16	Z11F313201	Round rubber pad	1	
17	0212034	Seeger D.42	1	
18	0212035	Seeger D.32	1	
19	0309091	O-ring 45X2.65	1	
20	0206024	Screw M5X10	4	



TAV.6	HYDRAULIC LINE	ED. 12/2020
-------	----------------	-------------

ITEM	PART NO.	DESCRIPTION	QTY	REMARK
1a	0302014	Hydraulic power unit 220V60Hz1Ph	1	
1b	0302016	Hydraulic power unit 220V50Hz1Ph	1	
1c	0302017	Hydraulic power unit 380V50Hz3Ph	1	
2	Z31AY63000	Hydraulic cylinder	2	
3	7B-04-98	Union	2	
4	6432-Y1.5	Flow restrictor	2	
5	7530-Y-3	Spring	2	
6	03030031	90° fitting 1/4	2	
7	03030002	90° union 1/4 (1BT9-04SP)	2	
8	03030021	Tee union 1/4	1	
9	WW2870	Hydraulic hose L=2870	1	
10	ZZ1385	Hydraulic hose L=1385	2	